

## iCLASS SE Credentials

### iCLASS SE Card - 300 / 305

Added security into installations that do not contain standard iCLASS readers, these cards are not available with iCLASS programming. Ensure each required option has been checked with the appropriate choice to fulfill a completed order form.

Base Model  300 Standard PVC  305 Composite 40% Polyester / PVC\*

#### iCLASS Memory Size and Allocation (Select one option)

- 0 - 2k Bits (256 Bytes) with 2 Application Areas
- 3 - 32k Bits (4K Bytes) Application areas 16k/2+16k/1
- 4 - 32k Bits (4K Bytes) Application areas 16k/16+16k/1

#### Secure Identity Object Programming

- P - Programmed with Security Identity Object (SIO)
- V - Unprogrammed, for use with iCLASS SE Encoder

#### Front Packaging (Select one option)

- G - Plain White with Gloss Finish
- C - Custom Artwork with Gloss Finish - Specify Custom Artwork Number<sup>1</sup>

#### Back Packaging (Select one option)

- G - Plain White with Gloss Finish<sup>2</sup>
- C - Custom Artwork with Gloss Finish - Specify Custom Artwork Number<sup>1</sup>
- 1 - Plain White with Gloss Finish with Magnetic Stripe<sup>2</sup>
- 3 - Custom Artwork with Gloss Finish with Magnetic Stripe - Specify Custom Artwork Number<sup>1</sup>

#### Card Numbering<sup>3</sup> (Select one option)

- M - Sequential Matching Encoded/Printed (Inkjetted)<sup>7</sup>
- N - No Printed Card Numbering
- S - Sequential Encoded/Sequential Non-Matching Printed (Inkjetted)<sup>7</sup>
- R - Random Encoded/Non-Matching Sequential Printed (Inkjetted)<sup>7</sup>
- A - Sequential Matching Encoded/Printed (Laser Engraved)<sup>4</sup>
- B - Sequential Encoded/Sequential Non-Matching Printed (Laser Engraved)<sup>4</sup>
- C - Random Encoded/Non-Matching Sequential Printed (Laser Engraved)<sup>4</sup>

#### Slot Punch<sup>5</sup> (Select one option)

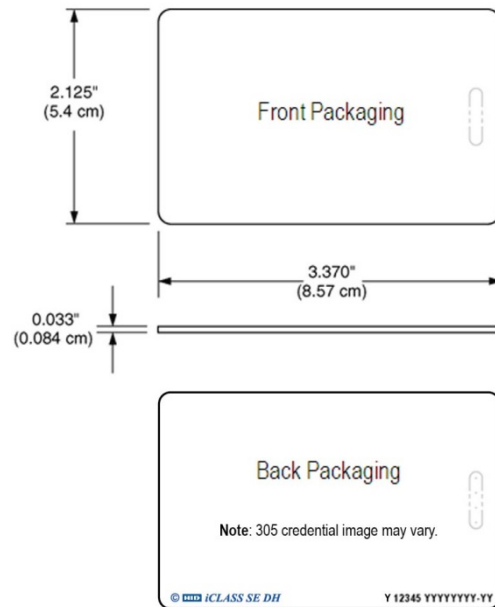
- N - No slot punch, Printed Vertical Slot Indicators
- B - No Slot Punch. This card can be slotted horizontally, Printed Horizontal Slot Indicators.<sup>6</sup>
- V - Vertical Slot Punch
- H - Horizontal Slot Punch<sup>6</sup>

#### Option - Custom Artwork<sup>1</sup>

- \_\_\_\_\_ (Specify Artwork Number - Refer to the Custom Artwork Forms for new artwork)

Enter your final card options from check boxes above. Example: 3000PGGNN

Final Part Number										-	(Options #)
-------------------	--	--	--	--	--	--	--	--	--	---	-------------



Y = iCLASS Programming  
12345 = Card ID Number  
YYYYYYYY-YY = Sales Order Number

### iCLASS Card Programming Information

Format Number \_\_\_\_\_ (example: H10301) Bit Numbers \_\_\_\_\_ (example: 26 bit) Facility Code \_\_\_\_\_

Encoded Card # Start \_\_\_\_\_ Stop \_\_\_\_\_ Printed Card # Start \_\_\_\_\_ Stop \_\_\_\_\_

HID Elite ICE Number (if applicable) - \_\_\_\_\_ (Custom Format) Site Code \_\_\_\_\_ City Code \_\_\_\_\_ OEM Code \_\_\_\_\_

Special Instructions: \_\_\_\_\_

<sup>1</sup> For new artwork files, contact Customer Service for custom artwork number, lead-times, and cost.

<sup>2</sup> Cards ordered with plain white front and back packaging, or custom artwork, will still have a small HID logo and reference number printed in the lower left-hand corner and a slot punch target printed on the back of the card.

<sup>3</sup> The Printed card number is placed in the bottom right-hand corner on the back of the card.

<sup>4</sup> For Laser Engraved Printed numbers, consult factory for lead times and cost.

<sup>5</sup> Cards are provided with an optional slot punch at no additional charge. Some video imaging printers cannot accommodate pre-slot punched cards.

<sup>6</sup> The ability to add a horizontal slot punch requires a different iCLASS antenna design. Users can expect a read range reduction of approximately 20% if they order options B or H for the Slot Punch.

<sup>7</sup> Please note that cards shipped within North America are always laser-engraved. Inkjetted option is not available for these cards.

\* The composite construction is recommended for all cards with over-laminate applied. Consult with the printer manufacturer prior to ordering.



### iCLASS SE + Prox Card - 310 / 315

Maximized compatibility with added security into installations that contain standard Prox credentials. These cards are not available with iCLASS programming.

Ensure each required option has been checked with the appropriate choice to fulfill a completed order form.

Base Model  310 Standard PVC  315 Composite 40% Polyester / PVC\*

**iCLASS Memory Size and Allocation (Select one option)**

- 0 - 2k Bits (256 Bytes) with 2 Application Areas
- 3 - 32k Bits (4K Bytes) Application areas 16k/2+16k/1
- 4 - 32k Bits (4K Bytes) Application areas 16k/16+16k/1

**Secure Identity Object Programming (Select one option)**

- P - Programmed with Security Identity Object (SIO), Prox non programmed
- R - Both interfaces programmed: iCLASS with Security Identity Object (SIO), Prox programmed with HID format

**Front Packaging (Select one option)**

- G - Plain White with Gloss Finish
- C - Custom Artwork with Gloss Finish - Specify Custom Artwork Number<sup>1</sup>

**Back Packaging (Select one option)**

- G - Plain White with Gloss Finish<sup>2</sup>
- C - Custom Artwork with Gloss Finish - Specify Custom Artwork Number<sup>1</sup>
- 1 - Plain White with Gloss Finish with Magnetic Stripe<sup>2</sup>
- 3 - Custom Artwork with Gloss Finish with Magnetic Stripe - Specify Custom Artwork Number<sup>1</sup>

**13.56 MHz iCLASS Card Numbering<sup>3</sup> (Select one option)**

- M - Sequential Matching Encoded/Printed (Inkjetted)<sup>7</sup>
- N - No Printed Card Numbering
- S - Sequential Encoded/Sequential Non-Matching Printed (Inkjetted)<sup>7</sup>
- R - Random Encoded/Non-Matching Sequential Printed (Inkjetted)<sup>7</sup>
- A - Sequential Matching Encoded/Printed (Laser Engraved)<sup>4</sup>
- B - Sequential Encoded/Sequential Non-Matching Printed (Laser Engraved)<sup>4</sup>
- C - Random Encoded/Non-Matching Sequential Printed (Laser Engraved)<sup>4</sup>

**Slot Punch<sup>5</sup> (Select one option)**

- N - No Slot Punch. This card can be slotted vertically, Printed Vertical Slot Indicators.
- B - No Slot Punch. This card can be slotted horizontally, Printed Horizontal Slot Indicators.<sup>6</sup>
- H - Horizontal slot punch<sup>6</sup>
- V - Vertical Slot Punch

**125 kHz Card Numbering<sup>3</sup> (Select one option)**

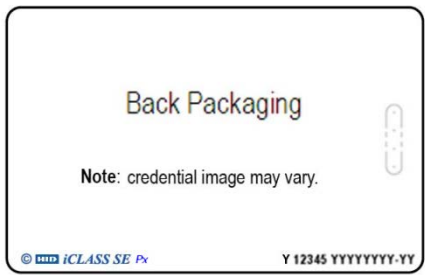
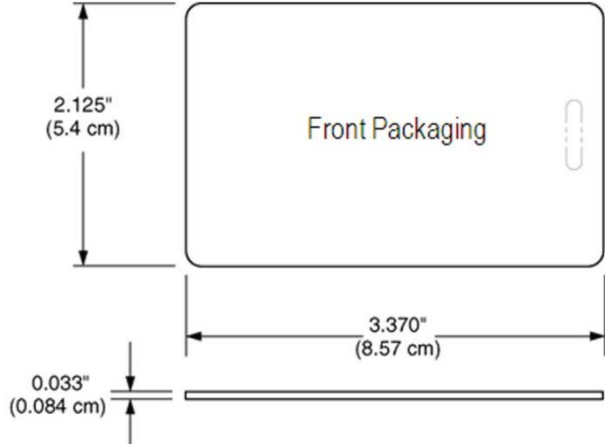
- M - Sequential Matching Encoded/Printed (Inkjetted)<sup>7</sup>
- N - No Printed Card Numbering
- S - Sequential Encoded/Sequential Non-Matching Printed (Inkjetted)<sup>7</sup>
- R - Random Encoded/Non-Matching Sequential Printed (Inkjetted)<sup>7</sup>
- A - Sequential Matching Encoded/Printed (Laser Engraved)<sup>4</sup>
- B - Sequential Encoded/Sequential Non-Matching Printed (Laser Engraved)<sup>4</sup>
- C - Random Encoded/Non-Matching Sequential Printed (Laser Engraved)<sup>4</sup>

**Option - Custom Artwork<sup>1</sup>**

- \_\_\_\_\_ (Specify Artwork Number - Refer to the Custom Artwork Forms for new artwork)

Enter your final card options from check boxes above. Example: 3100PGNNN

Final Part Number									-	(Options #)
-------------------	--	--	--	--	--	--	--	--	---	-------------



Y = iCLASS Programming  
 12345 = Card ID Number  
 YYYYYYYY-YY = Sales Order Number

**iCLASS Card Programming Information**

Format Number \_\_\_\_\_ (example: H10301) Bit Numbers \_\_\_\_\_ (example: 26 bit) Facility Code \_\_\_\_\_  
 Encoded Card # Start \_\_\_\_\_ Stop \_\_\_\_\_ Printed Card # Start \_\_\_\_\_ Stop \_\_\_\_\_  
 HID Elite ICE Number (if applicable) - \_\_\_\_\_ (Custom Format) Site Code \_\_\_\_\_ City Code \_\_\_\_\_ OEM Code \_\_\_\_\_  
 Special Instructions: \_\_\_\_\_



---

---

### 125 kHz Card Programming Information

---

---


Format Number \_\_\_\_ (example: H10301) Bit Numbers \_\_\_\_ (example: 26 bit) Facility Code \_\_\_\_

Encoded Card # Start \_\_\_\_ Stop \_\_\_\_ Printed Card # Start \_\_\_\_ Stop \_\_\_\_

HID Elite ICE Number (if applicable) - \_\_\_\_ (Custom Format) Site Code \_\_\_\_ City Code \_\_\_\_ OEM Code \_\_\_\_

Special Instructions: \_\_\_\_

<sup>1</sup> For new artwork files, contact Customer Service for custom artwork number, lead-times, and cost.

<sup>2</sup> Cards ordered with plain white front and back packaging, or custom artwork, will still have a small HID logo  and reference number printed in the lower left-hand corner and a slot punch target printed on the back of the card.

<sup>3</sup> The Printed card number is placed in the bottom right-hand corner on the back of the card.

<sup>4</sup> For Laser Engraved Printed numbers, consult factory for lead times and cost.

<sup>5</sup> Cards are provided with an optional slot punch at no additional charge. Some video imaging printers cannot accommodate pre-slot punched cards.

<sup>6</sup> The ability to add a horizontal slot punch requires a different iCLASS antenna design. Users can expect a read range reduction of approximately 20% if they order option H for the Slot Punch.

<sup>7</sup> Please note that cards shipped within North America are always laser-engraved. Inkjetted option is not available for these cards.

\* The composite construction is recommended for all cards with over-laminate applied. Consult with the printer manufacturer prior to ordering.

### iCLASS SE Key - 325

The iCLASS SE contactless smart Key offers read/write capability while leveraging Security Identity Object for increased security. Attach to a key ring or badge clip for convenient use. The iCLASS SE key is not available with iCLASS programming.

Ensure each required option has been checked with the appropriate choice to fulfill a completed order form.

325 Base Model

**iCLASS Memory Size and Allocation (Select one option)**

- 0 - 2k Bits (256 Bytes) with 2 Application Areas
- 3 - 32k Bits (4K Bytes) Application areas 16k/2+16k/1
- 4 - 32k Bits (4K Bytes) Application areas 16k/16+16k/1

**Secure Identity Object Programming (Select one option)**

- P - Programmed with Security identity Object (SIO)
- V - Unprogrammed, for use with iCLASS SE Encoder

**Front Packaging**

- N - iCLASS Key II - Black with blue insert. Includes HID Standard Artwork

**Back Packaging**

- N - None

**Key Numbering**

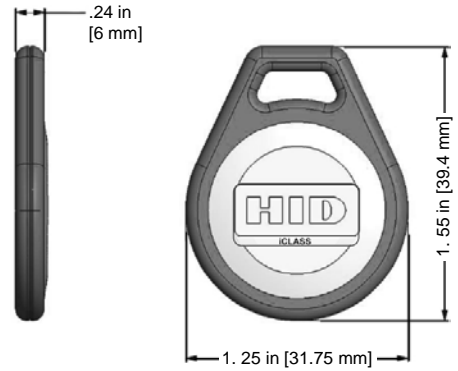
- M - Sequential Matching Encoded/Printed (Inkjetted)<sup>4</sup>
- N - No Printed Key Numbering
- S - Sequential Encoded/Sequential Non-Matching Printed (Inkjetted)<sup>4</sup>
- R - Random Encoded/Non-Matching Sequential Printed (Inkjetted)<sup>4</sup>
- A - Sequential Matching Encoded/Printed (Engraved)<sup>2</sup>
- B - Sequential Encoded/Sequential Non-Matching Printed (Engraved)<sup>2</sup>
- C - Random Encoded/Non-Matching Sequential Printed (Engraved)<sup>2</sup>

**Additional Options<sup>3</sup>**

- N - None

Enter your final card options from the above selections. Example: 3250PNNMN

<b>Final Part Number</b>	<b>325</b>			<b>N</b>	<b>N</b>		<b>N</b>
--------------------------	------------	--	--	----------	----------	--	----------



Shown - Front Packaging Option N

**iCLASS Key Programming Information**

Format Number \_\_\_\_ (example: H10301) Bit Numbers \_\_\_\_ (example: 26 bit) Facility Code \_\_\_\_  
 Encoded Card # Start \_\_\_\_ Stop \_\_\_\_ Printed Card # Start \_\_\_\_ Stop \_\_\_\_  
 HID Elite ICE Number (if applicable) - \_\_\_\_ (Custom Format) Site Code \_\_\_\_ City Code \_\_\_\_ OEM Code \_\_\_\_  
 Special Instructions: \_\_\_\_

<sup>1</sup> The Printed key number is placed on the back of the key.  
<sup>2</sup> For Laser Engraved Printed numbers, consult factory for lead times and cost.  
<sup>3</sup> Key Ring sold separately (Part Number: 57-0001-02).  
<sup>4</sup> Please note that cards shipped within North America are always laser-engraved. Inkjetted option is not available for these cards.

### iCLASS SE Tag - 330

The iCLASS SE contactless smart Tag offers read/write capability while leveraging Security Identity Object for increased security. iCLASS SE enable existing credentials or non-metallic devices such as cell phones or PDAs by adhering the iCLASS Tag. The iCLASS SE Tag is not available with iCLASS programming.

Ensure each required option has been checked with the appropriate choice to fulfill a completed order form.

330 Base Model

**iCLASS Memory Size and Allocation (Select one option)**

- 0 - 2k Bits (256 Bytes) with 2 Application Areas
- 3 - 32k Bits (4K Bytes) Application areas 16k/2+16k/1
- 4 - 32k Bits (4K Bytes) Application areas 16k/16+16k/1

**Secure Identity Object Programming (Select one option)**

- P - Programmed with Secure Identity Object (SIO).
- V - Unprogrammed, for use with iCLASS SE Encoder

**Front Packaging (Select one option)**

- S - Gray with HID Standard Artwork
- K - Black with HID Standard Artwork
- C - Custom Artwork - Specify Custom Artwork Number<sup>2</sup>

**Back Packaging**

- S - Adhesive Backing

**Tag Numbering<sup>1</sup> (Select one option)**

- M - Sequential Matching Encoded/Printed (Inkjetted)<sup>4</sup>
- N - No Printed Tag Numbering
- S - Sequential Encoded/Sequential Non-Matching Printed (Inkjetted)<sup>4</sup>
- R - Random Encoded/Non-Matching Sequential Printed (Inkjetted)<sup>4</sup>

**Slot Punch**

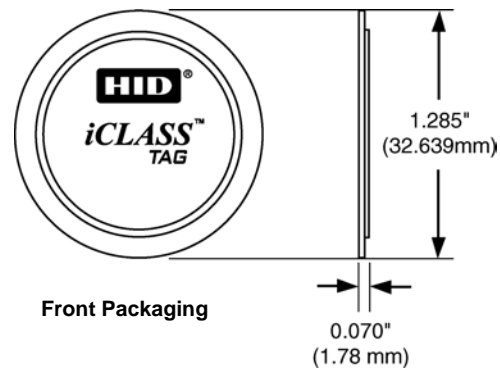
- N - None

**Option - Custom Artwork<sup>1</sup>**

\_\_\_\_\_ (Specify Artwork Number - Refer to the Custom Artwork Forms for new artwork)

Enter your final Tag options from check boxes above. Example: 3302PSSNN

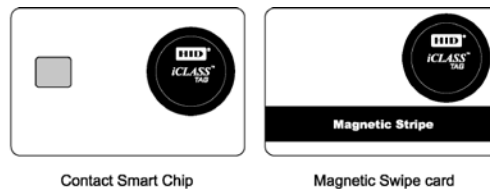
<b>Final Part Number</b>	<b>330</b>				<b>S</b>		<b>N</b>	<b>-</b>	<b>(Options #)</b>
--------------------------	------------	--	--	--	----------	--	----------	----------	--------------------



**iCLASS Tag Programming Information**

Format Number \_\_\_\_\_ (example: H10301) Bit Numbers \_\_\_\_\_ (example: 26 bit) Facility Code \_\_\_\_\_  
 Encoded Card # Start \_\_\_\_\_ Stop \_\_\_\_\_ Printed Card # Start \_\_\_\_\_ Stop \_\_\_\_\_  
 HID Elite ICE Number (if applicable) - \_\_\_\_\_ (Custom Format) Site Code \_\_\_\_\_ City Code \_\_\_\_\_ OEM Code \_\_\_\_\_  
 Special Instructions: \_\_\_\_\_

<sup>1</sup> The Printed tag number is placed on the back of the tag.  
<sup>2</sup> For new artwork files, contact Customer Service for custom artwork number, lead-times, minimum order quantities, and cost.  
<sup>3</sup> The iCLASS Tag is not for use on cards that use full insertion or tractor feed type readers.  
<sup>4</sup> Please note that cards shipped within North America are always laser-engraved. Inkjetted option is not available for these cards.



Do not adhere to metal surfaces. Metal shields the RF, making the tag inoperable. Due to variations in cards and reading devices, HID does not claim that the iCLASS Tag will work in every situation. Functional and non-functional iCLASS Tags are available for compatibility testing with existing credential and reader technologies. Compatibility should be confirmed prior to ordering.



### iCLASS SE Clamshell Card - 335

Added security into installations that do not contain standard iCLASS readers, these cards are not available with iCLASS programming.

Ensure each required option has been checked with the appropriate choice to fulfill a completed order form.

335 Base Model

**imageiCLASS Memory Size and Allocation (Select one option)**

- 0 - 2k Bits (256 Bytes) with 2 Application Areas
- 3 - 32k Bits (4K Bytes) Application areas 16k/2+16k/1
- 4 - 32k Bits (4K Bytes) Application areas 16k/16+16k/1

**Secure Identity Object Programming (Select one option)**

- P - Programmed with Security Identity Object (SIO)
- V - Unprogrammed, for use with iCLASS SE Encoder

**Front Packaging (Select one option)**

- M - Plain White Vinyl with Matte Finish
- G - Plain White with Gloss Finish
- A - iCLASS Clamshell - Adhesive Front<sup>1</sup>
- C - Custom Artwork - Specify Custom Artwork Number<sup>2</sup>

**Back Packaging (Select one option)**

- S - Base with Molded HID Logo
- C - Custom Artwork - Specify Custom Artwork Number<sup>2</sup>

**Card Numbering<sup>3</sup> (Select one option)**

- M - Sequential Matching Encoded/Printed (Inkjetted)<sup>4</sup>
- N - No Printed Card Numbering
- S - Sequential Encoded/Sequential Non-Matching Printed (Inkjetted)<sup>4</sup>
- R - Random Encoded/Non-Matching Sequential Printed (Inkjetted)<sup>4</sup>

**Slot Punch**

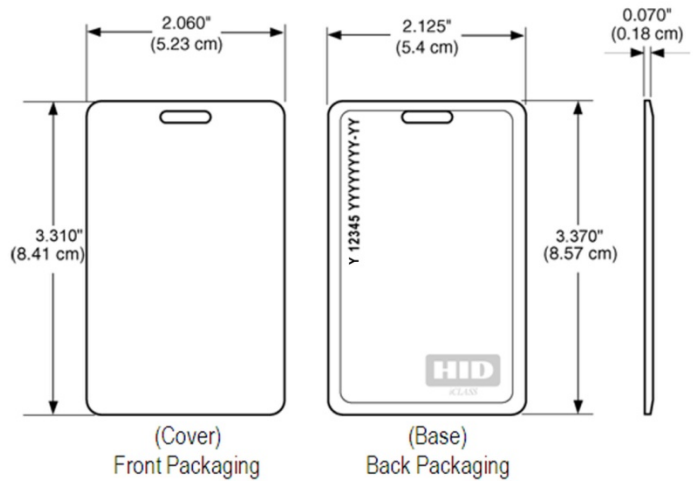
- V - Vertical Slot Punch

**Option - Custom Artwork<sup>2</sup>**

\_\_\_\_\_ (Specify Artwork Number - Refer to the Custom Artwork Forms for new Artwork)

Enter your final card options from check boxes above. Example: 3350PMSMV

<b>Final Part Number</b>	<b>335</b>						<b>V</b>	<b>-</b>	<b>(Options #)</b>
--------------------------	------------	--	--	--	--	--	----------	----------	--------------------



Y = iCLASS Programming  
 12345 = Card ID Number  
 YYYYYYYY-YY = Sales Order Number

**iCLASS Card Programming Information**

Format Number \_\_\_\_\_ (example: H10301) Bit Numbers \_\_\_\_\_ (example: 26 bit) Facility Code \_\_\_\_\_

Encoded Card # Start \_\_\_\_\_ Stop \_\_\_\_\_ Printed Card # Start \_\_\_\_\_ Stop \_\_\_\_\_

HID Elite ICE Number (if applicable) - \_\_\_\_\_ (Custom Format) Site Code \_\_\_\_\_ City Code \_\_\_\_\_ OEM Code \_\_\_\_\_

Special Instructions: \_\_\_\_\_

<sup>1</sup> The part numbers for non-adhesive labels to be used with the iCLASS Clamshell with the adhesive front are 1324GGN31 without slot and 1324GGV31 with slot.

<sup>2</sup> For new artwork files, contact Customer Service for custom artwork number, lead-times, and cost.

<sup>3</sup> The Printed card number is placed in the top left-hand corner on the back of the card. HID logo molded into base on back.

<sup>4</sup> Please note that cards shipped within North America are always laser-engraved. Inkjetted option is not available for these cards.

### iCLASS SE + Other HF Card - 390 / 391

The SIO-Enabled iCLASS with MIFARE Classic or MIFARE DESFire EV1 contactless smart card offers multiple High Frequency technologies to simplify card issuance for diverse systems or migration projects. This card offers maximized compatibility installations that contain iCLASS SE or MIFARE Classic / MIFARE DESFire EV1 credentials.

Ensure each required option has been checked with the appropriate choice to fulfill a completed order form.

**Base Model**     390 Standard PVC     391 Composite 40% Polyester / PVC \*

- iCLASS Memory Size and Allocation (Select one option)**
- 0 - 2k Bits (256 Bytes) with 2 Application Areas (only available with MIFARE Classic 1K)
  - 3 - 32k Bits (4K Bytes) Application areas 16k/2+16k/1
  - 4 - 32k Bits (4K Bytes) Application areas 16k/16+16k/1

- Card Programming (Select one option)**
- R - SIO Programmed iCLASS & 2<sup>nd</sup> Technology. Specify Programming Information
  - P - SIO Programmed iCLASS only, not 2<sup>nd</sup> Technology. Specify Programming Information.
  - A - Configured, Non-Programmed iCLASS, SIO Programmed 2<sup>nd</sup> Technology. Specify Programming Information.
  - V - iCLASS SE Unprogrammed, for use with iCLASS SE Encoder

- 2<sup>nd</sup> High Frequency Technology (Select one option)**
- M - MIFARE Classic 1K Bytes (only available with iCLASS 2k bits)
  - N - MIFARE Classic 4K Bytes
  - K - MIFARE DESFire EV1 8K Bytes

- Front Packaging (Select one option)**
- G - Plain White with Gloss Finish
  - C - Custom Artwork with Gloss Finish - Specify Custom Artwork Number<sup>1</sup>

- Back Packaging (Select one option)**
- G - Plain White with Gloss Finish<sup>2</sup>
  - C - Custom Artwork with Gloss Finish - Specify Custom Artwork Number<sup>1</sup>
  - 1 - Plain White with Gloss Finish with Magnetic Stripe<sup>2</sup>
  - 3 - Custom Artwork with Gloss Finish with Magnetic Stripe - Specify Custom Artwork Number<sup>1</sup>

- iCLASS SE Card Numbering<sup>3</sup> (Select one option)**
- M - Sequential Matching Encoded/Printed (Inkjetted)<sup>6</sup>
  - N - No Printed Card Numbering
  - S - Sequential Encoded/Sequential Non-Matching Printed (Inkjetted)<sup>6</sup>
  - R - Random Encoded/Non-Matching Sequential Printed (Inkjetted)<sup>6</sup>
  - A - Sequential Matching Encoded/Printed (Laser Engraved)<sup>4</sup>
  - B - Sequential Encoded/Sequential Non-Matching Printed (Laser Engraved)<sup>4</sup>
  - C - Random Encoded/Non-Matching Sequential Printed (Laser Engraved)<sup>4</sup>

**Slot Punch**

**IMPORTANT** - Dual High Frequency credentials do not allow a slot punch due to the antenna design. HID recommends using a badge holder to attach this card to a lanyard or badge clip.

- N - No Slot Punch

**2<sup>nd</sup> High Frequency Technology Card Numbering<sup>3</sup> (Select one option)**

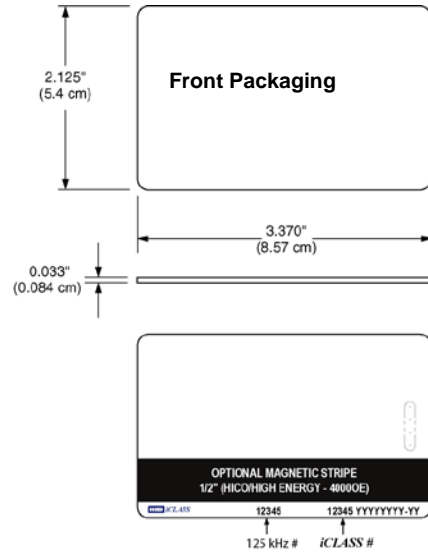
- M - Sequential Matching Encoded/Printed (Inkjetted)<sup>5</sup>
- N - No Printed Card Numbering
- S - Sequential Encoded/Sequential Non-Matching Printed (Inkjetted)<sup>5</sup>
- R - Random Encoded/Non-Matching Sequential Printed (Inkjetted)<sup>5</sup>
- A - Sequential Matching Encoded/Printed (Laser Engraved)<sup>4</sup>
- B - Sequential Encoded/Sequential Non-Matching Printed (Laser Engraved)<sup>4</sup>
- C - Random Encoded/Non-Matching Sequential Printed (Laser Engraved)<sup>4</sup>

**Option - Custom Artwork<sup>1</sup>**

- \_\_\_\_\_ (Specify Artwork Number - Refer to the Custom Artwork Forms for new artwork)

Enter your final card options from the above selections. Example: 3904RNGCMNM

<b>Final Part Number</b>									<b>N</b>				<b>(Options #)</b>
--------------------------	--	--	--	--	--	--	--	--	----------	--	--	--	--------------------



12345 = Card ID Number  
 YYYYYYYY-YY = Sales Order Number




---



---

*iCLASS SE Card Programming Information*

---

Format Number \_\_\_\_ (example: H10301) Bit Numbers \_\_\_\_ (example: 26 bit) Facility Code \_\_\_\_  
 Encoded Card # Start \_\_\_\_ Stop \_\_\_\_ Printed Card # Start \_\_\_\_ Stop \_\_\_\_  
 HID Elite ICE Number (if applicable) - \_\_\_\_ (Custom Format) Site Code \_\_\_\_ City Code \_\_\_\_ OEM Code \_\_\_\_  
 Special Instructions: \_\_\_\_


---

*2<sup>nd</sup> 13.56 MHz technology Card Programming Information*

---

Format Number \_\_\_\_ (example: H10301) Bit Numbers \_\_\_\_ (example: 26 bit) Facility Code \_\_\_\_  
 Encoded Card # Start \_\_\_\_ Stop \_\_\_\_ Printed Card # Start \_\_\_\_ Stop \_\_\_\_  
 HID Elite ICE Number (if applicable) - \_\_\_\_ (Custom Format) Site Code \_\_\_\_ City Code \_\_\_\_ OEM Code \_\_\_\_  
 Special Instructions: \_\_\_\_

<sup>1</sup> For new artwork files, contact Customer Service for custom artwork number, lead-times, and cost.

<sup>2</sup> Cards ordered with plain white front and back packaging, or custom artwork, will still have a small HID logo  and reference number printed in the lower left-hand corner and a slot punch target printed on the back of the card.

<sup>4</sup> For Laser Engraved Printed numbers, consult factory for lead times and cost.

<sup>5</sup> Please note that cards shipped within North America are always laser-engraved. Inkjetted option is not available for these cards.

\* The composite construction is recommended for all cards with over-laminate applied. Consult with the printer manufacturer prior to ordering.



### iCLASS SE + Other 13.56MHz + Prox Card - 395 / 396

The SIO-enabled card with MIFARE Classic or MIFARE DESFire EV1 contactless smart card as well as HID Proximity offers multiple High Frequency technologies to simplify card issuance for diverse systems or migration projects. This card offers maximized compatibility into installations that contain iCLASS SE or MIFARE Classic / MIFARE DESFire EV1 credentials.

Ensure each required option has been checked with the appropriate choice to fulfill a completed order form.

Base Model  395 Standard PVC  396 Composite 40% Polyester / PVC \*

#### iCLASS SE Memory Size and Allocation (Select one option)

- 0 - 2k Bits (256 Bytes) with 2 Application Areas (only available with MIFARE Classic 1K)
- 3 - 32k Bits (4K Bytes) Application areas 16k/2+16k/1
- 4 - 32k Bits (4K Bytes) Application areas 16k/16+16k/1

#### 13.56 MHz Technology Card Programming (Select one option)

- R - SIO Programmed iCLASS & 2<sup>nd</sup> Technology. Specify Programming Information
- P - Programmed iCLASS with SIO only not 2<sup>nd</sup> Technology. Specify Programming Information.
- A - Configured, Non-Programmed iCLASS, SIO Programmed 2<sup>nd</sup> Technology. Specify Programming Information.

#### 2<sup>nd</sup> High Frequency (13.56 MHz) Technology (Select one option)

- M - MIFARE Classic 1K Bytes (only available with iCLASS 2k bits)
- N - MIFARE Classic 4K Bytes
- K - MIFARE DESFire EV1 8K Bytes

#### 125 kHz Technology Card Programming (Select one option)

- P - "HID Prox" Programmed 125 kHz Technology. Specify Programming Information
- C - "Indala/Casi Prox" Programmed 125 kHz Technology. Specify Programming Information
- N - Initialized 125 kHz Technology. Programming Information Not Required

#### Front Packaging (Select one option)

- G - Plain White with Gloss Finish
- C - Custom Artwork with Gloss Finish - Specify Custom Artwork Number<sup>1</sup>

#### Back Packaging (Select one option)

- G - Plain White with Gloss Finish<sup>2</sup>
- C - Custom Artwork with Gloss Finish - Specify Custom Artwork Number<sup>1</sup>
- 1 - Plain White with Gloss Finish with Magnetic Stripe<sup>2</sup>
- 3 - Custom Artwork with Gloss Finish with Magnetic Stripe - Specify Custom Artwork Number<sup>1</sup>

#### iCLASS SE Card Numbering<sup>3</sup> (Select one option)

- |  |   |
|--|---|
| <input type="checkbox"/> M - Sequential Matching Encoded/Printed (Inkjetted) <sup>5</sup>                | <input type="checkbox"/> B - Sequential Encoded/Sequential Non-Matching Printed (Laser Engraved) <sup>4</sup> |
| <input type="checkbox"/> N - No Printed Card Numbering   | <input type="checkbox"/> C - Random Encoded/Non-Matching Sequential Printed (Laser Engraved) <sup>4</sup>     |
| <input type="checkbox"/> S - Sequential Encoded/Sequential Non-Matching Printed (Inkjetted) <sup>5</sup> |   |
| <input type="checkbox"/> R - Random Encoded/Non-Matching Sequential Printed (Inkjetted) <sup>5</sup>     |   |
| <input type="checkbox"/> A - Sequential Matching Encoded/Printed (Laser Engraved) <sup>4</sup>           |   |

#### Slot Punch

**IMPORTANT** - Dual High Frequency credentials do not allow a slot punch due to the antenna design. HID recommends using a badge holder to attach this card to a lanyard or badge clip.

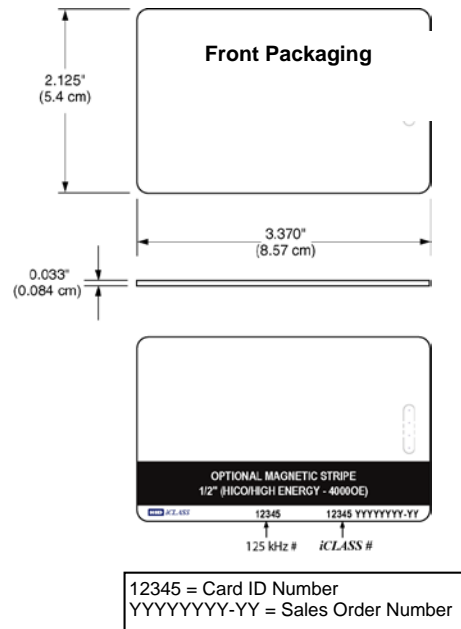
- N - No Slot Punch

#### 2<sup>nd</sup> 13.56 MHz Card Numbering<sup>3</sup> (Select one option)

- |  |   |
|--|---|
| <input type="checkbox"/> M - Sequential Matching Encoded/Printed (Inkjetted) <sup>5</sup>                | <input type="checkbox"/> B - Sequential Encoded/Sequential Non-Matching Printed (Laser Engraved) <sup>4</sup> |
| <input type="checkbox"/> N - No Printed Card Numbering   | <input type="checkbox"/> C - Random Encoded/Non-Matching Sequential Printed (Laser Engraved) <sup>4</sup>     |
| <input type="checkbox"/> S - Sequential Encoded/Sequential Non-Matching Printed (Inkjetted) <sup>5</sup> |   |
| <input type="checkbox"/> R - Random Encoded/Non-Matching Sequential Printed (Inkjetted) <sup>5</sup>     |   |
| <input type="checkbox"/> A - Sequential Matching Encoded/Printed (Laser Engraved) <sup>4</sup>           |   |

#### 125 kHz Card Numbering<sup>3</sup> (Select one option)

- |  |   |
|--|---|
| <input type="checkbox"/> M - Sequential Matching Encoded/Printed (Inkjetted) <sup>5</sup>                | <input type="checkbox"/> A - Sequential Matching Encoded/Printed (Laser Engraved) <sup>4</sup>                |
| <input type="checkbox"/> N - No Printed Card Numbering   | <input type="checkbox"/> B - Sequential Encoded/Sequential Non-Matching Printed (Laser Engraved) <sup>4</sup> |
| <input type="checkbox"/> S - Sequential Encoded/Sequential Non-Matching Printed (Inkjetted) <sup>5</sup> | <input type="checkbox"/> C - Random Encoded/Non-Matching Sequential Printed (Laser Engraved) <sup>4</sup>     |
| <input type="checkbox"/> R - Random Encoded/Non-Matching Sequential Printed (Inkjetted) <sup>5</sup>     |   |





**Option - Custom Artwork<sup>1</sup>**

\_\_\_\_\_ (Specify Artwork Number - Refer to the Custom Artwork Forms for new artwork)

Enter your final card options from the above selections. Example: 3964PNPGGNNM

<b>Final Part Number</b>								<b>N</b>					-		<b>(Options #)</b>
--------------------------	--	--	--	--	--	--	--	----------	--	--	--	--	---	--	--------------------

**iCLASS SE Programming Information**

Format Number \_\_\_\_ (example: H10301) Bit Numbers \_\_\_\_ (example: 26 bit) Facility Code \_\_\_\_  
 Encoded Card # Start \_\_\_\_ Stop \_\_\_\_ Printed Card # Start \_\_\_\_ Stop \_\_\_\_  
 HID Elite ICE Number (if applicable) - \_\_\_\_ (Custom Format) Site Code \_\_\_\_ City Code \_\_\_\_ OEM Code \_\_\_\_  
 Special Instructions: \_\_\_\_

**2<sup>nd</sup> 13.56 MHz Programming Information**

Format Number \_\_\_\_ (example: H10301) Bit Numbers \_\_\_\_ (example: 26 bit) Facility Code \_\_\_\_  
 Encoded Card # Start \_\_\_\_ Stop \_\_\_\_ Printed Card # Start \_\_\_\_ Stop \_\_\_\_  
 HID Elite ICE Number (if applicable) - \_\_\_\_ (Custom Format) Site Code \_\_\_\_ City Code \_\_\_\_ OEM Code \_\_\_\_  
 Special Instructions: \_\_\_\_

**125 kHz Programming Information**

Format Number \_\_\_\_ (example: H10301) Bit Numbers \_\_\_\_ (example: 26 bit) Facility Code \_\_\_\_  
 Encoded Card # Start \_\_\_\_ Stop \_\_\_\_ Printed Card # Start \_\_\_\_ Stop \_\_\_\_  
 HID Elite ICE Number (if applicable) - \_\_\_\_ (Custom Format) Site Code \_\_\_\_ City Code \_\_\_\_ OEM Code \_\_\_\_  
 Special Instructions: \_\_\_\_

<sup>1</sup> For new artwork files, contact Customer Service for custom artwork number, lead-times, and cost.  
<sup>2</sup> Cards ordered with plain white front and back packaging, or custom artwork, will still have a small HID logo and reference number printed in the lower left-hand corner and a slot punch target printed on the back of the card.  
<sup>3</sup> The Printed card number is placed in the bottom right-hand corner for iCLASS 13.56 MHz and in the bottom center for 125 kHz Proximity on the back of the card.  
<sup>4</sup> For Laser Engraved Printed numbers, consult factory for lead times and cost.  
<sup>5</sup> Please note that cards shipped within North America are always laser-engraved. Inkjetted option is not available for these cards.  
 \* The composite construction is recommended for all cards with over-laminate applied. Consult with the printer manufacturer prior to ordering.