



HID Proximity Credentials

ProxCard II Card - 1326

Ensure each required option has been checked with the appropriate choice to fulfill a completed order form.

1326 Base Model

Programming (Select one option)

- L - Programmed, Low Frequency (125 kHz) HID. Specify Programming Information.
- N - Non-Programmed, Low Frequency (125 kHz). Programming Information Not Required.

Front Packaging (Select one option)

- S - ProxCard II Artwork - Vinyl with Matte Finish
- M - Plain White Vinyl with Matte Finish
- G - Plain White PVC with Gloss Finish
- A - ProxCard II with Adhesive Front¹
- C - Custom Artwork - Specify Custom Artwork Number²

Back Packaging (Select one option)

- S - Base with Molded HID Logo
- C - Custom Artwork - Specify Custom Artwork Number²

Card Numbering³ (Select one option)

- M - Sequential Matching Encoded/Printed (Inkjetted)
- N - No Printed Card Numbering
- S - Sequential Encoded/Sequential Non-Matching Printed (Inkjetted)
- R - Random Encoded/Non-Matching Sequential Printed (Inkjetted)

Slot Punch

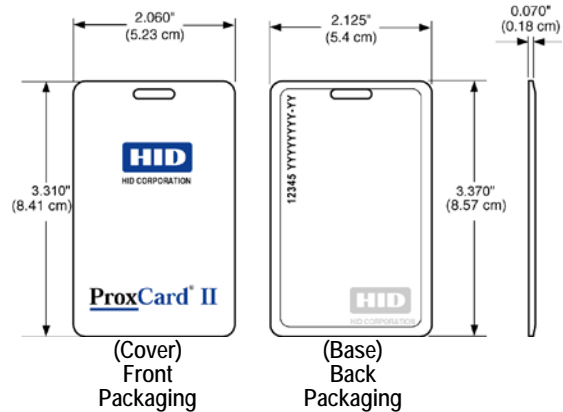
- V - Vertical Slot Punch

Option - Custom Artwork²

_____ (Specify Artwork Number - Refer to the Custom Artwork Forms for new Artwork)

Enter your final card options from check boxes above. Example: 1326LSSMV

Final Part Number	1326					V	-	(Options #)
--------------------------	-------------	--	--	--	--	----------	----------	--------------------



12345 = Card ID Number
 YYYYYYYY-YY = Sales Order Number

125 kHz Card Programming Information

Format Number ____ (example: H10301) Bit Numbers ____ (example: 26 bit) Facility Code ____
 Encoded Card # Start ____ Stop ____ Printed Card # Start ____ Stop ____
 HID Elite ICE Number (if applicable) - ____ (Custom Format) Site Code ____ City Code ____ OEM Code ____
 Special Instructions: ____

¹ The part numbers for non-adhesive labels to be used with the ProxCard II with the adhesive front are 1324GGN31 without slot and 1324GGV31 with slot.
² For new artwork files, contact Customer Service for custom artwork number, lead-times, and cost.
³ The Printed card number is placed in the top left-hand corner on the back of the card. HID logo molded into base on back.
⁴ Programmed as a sequential 12 digit number.

DuoProx® II Card - 1335 / 1536

Ensure each required option has been checked with the appropriate choice to fulfill a completed order form.

Base Model 1336 Standard PVC 1536 Composite 40% Polyester / PVC *

125 KHz Programming (Select one option)

- L - Programmed. Specify Programming Information.
- N - Unprogrammed, for use with iCLASS SE Encoder. Programming Information Not Required.

Front Packaging (Select one option)

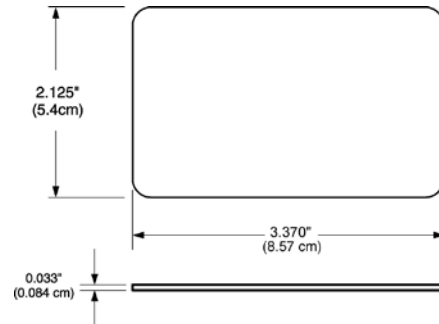
- G - Plain White PVC w/ Gloss Finish
- C - Custom Artwork w/ Gloss Finish - Specify Custom Artwork Number¹

Back Packaging (Select one option)

- G - Plain White PVC w/ Gloss Finish²
- S - Standard DuoProx II Artwork Gloss Finish²
- C - Custom Artwork w/ Gloss Finish - Specify Custom Artwork Number^{1,2}

Card Numbering³ (Select one option)

- M - Sequential Matching Encoded/Printed (Inkjetted)
- N - No Printed Card Numbering
- S - Sequential Encoded/Sequential Non-Matching Printed (Inkjetted)
- R - Random Encoded/Non-Matching Sequential Printed (Inkjetted)
- A - Sequential Matching Encoded/Printed (Engraved)⁵
- B - Sequential Encoded/Sequential Non-Matching Printed (Engraved)⁵
- C - Random Encoded/Non-Matching Sequential Printed (Engraved)⁵



12345 = Card ID Number
 YYYYYYYY-YY = Sales Order Number

Slot Punch⁴ (Select one option)

- N - No slot punch, Printed Vertical and Horizontal Slot Indicators
- V - Vertical Slot Punch, Printed Horizontal Slot Indicators
- H - Horizontal Slot Punch, Printed Vertical Slot Indicators

Option - Custom Artwork¹

- _____ (Specify Artwork Number - Refer to the Custom Artwork Forms for new Artwork)

Enter your final card options from check boxes above. Example: 1336LGGMN

Final Part Number							-	(Options #)
-------------------	--	--	--	--	--	--	---	-------------

125 kHz Card Programming Information

Format Number ____ (example: H10301) Bit Numbers ____ (example: 26 bit) Facility Code ____
 Encoded Card # Start ____ Stop ____ Printed Card # Start ____ Stop ____
 HID Elite ICE Number (if applicable) - ____ (Custom Format) Site Code ____ City Code ____ OEM Code ____
 Special Instructions: ____

¹ For new artwork files, contact Customer Service for custom artwork number, lead-times, and cost.
² Cards ordered with plain white front and back packaging, with no HID artwork or with custom artwork, will still have a small "HID logo" "HID" and reference number printed in the lower left-hand corner and a slot punch target printed on the back of the card.
³ The Printed card number is placed in the bottom right-hand corner on the back of the card.
⁴ Cards are provided with an optional slot punch at no additional charge. Some video imaging printers cannot accommodate pre-slot punched cards. Consult with the printer manufacturer prior to ordering.
⁵ For Laser Engraved Printed numbers, consult factory for lead times and cost.
⁶ Programmed as a sequential 12 digit number.
 * The composite construction is recommended for all cards that will have an over-laminate applied.



ProxKey III Keyfob - 1346

Ensure each required option has been checked with the appropriate choice to fulfill a completed order form.

1346 Base Model

Programming (Select one option)

- L - Programmed, Low Frequency (125 kHz). Specify Programming Information.
- N - Non-Programmed, Low Frequency (125 kHz). Programming Information Not Required.

Front Packaging

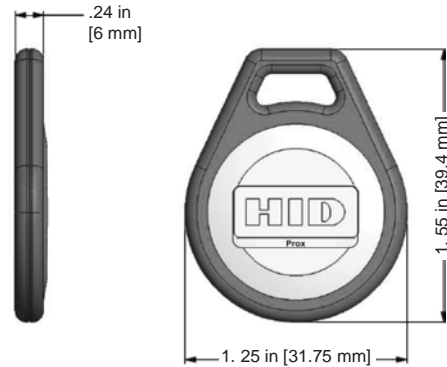
- N - ProxKey III - Black with grey insert. Includes HID Standard Artwork
- C - ProxKey III - Custom Artwork - Specify Custom Artwork Number¹

Back Packaging

- S - Standard

Keyfob Numbering² (Select one option)

- M - Sequential Matching Encoded/Printed (Inkjetted)
- N - No Printed Card Numbering
- S - Sequential Encoded/Sequential Non-Matching Printed (Inkjetted)
- R - Random Encoded/Non-Matching Sequential Printed (Inkjetted)
- A - Sequential Matching Encoded/Printed (Engraved)³
- B - Sequential Encoded/Sequential Non-Matching Printed (Engraved)³
- C - Random Encoded/Non-Matching Sequential Printed (Engraved)³



Shown - Front Packaging Option "N"
 12345 = Keyfob ID Number
 YYYYYYYY-YY = Sales Order Number

Additional Options⁴

- N - No Option

Enter your final ProxKey options from check boxes above. Example: 1346LNSMN

Final Part Number	1346			S		N
--------------------------	-------------	--	--	----------	--	----------

125 kHz ProxKey Programming Information

Format Number ____ (example: H10301) Bit Numbers ____ (example: 26 bit) Facility Code ____
 Encoded Card # Start ____ Stop ____ Printed Card # Start ____ Stop ____
 HID Elite ICE Number (if applicable) - ____ (Custom Format) Site Code ____ City Code ____ OEM Code ____
 Special Instructions: ____

¹ For new artwork files, contact Customer Service for custom artwork number, lead-times, and cost.
² The Printed number is placed on the back of the Keyfob.
³ For Laser Engraved Printed numbers, consult factory for lead times and cost.
⁴ Key Ring sold separately (Part Number: 57-0001-02).



ProxPass® II Vehicle Identification Tag - 1351

Ensure each required option has been checked with the appropriate choice to fulfill a completed order form.

1351 Base Model

Programming

L - Programmed, Low Frequency (125 kHz). Specify Programming Information.

Color

B - Standard beige finish

Back Packaging

S - Standard HID logo

Tag Numbering (Select one option)

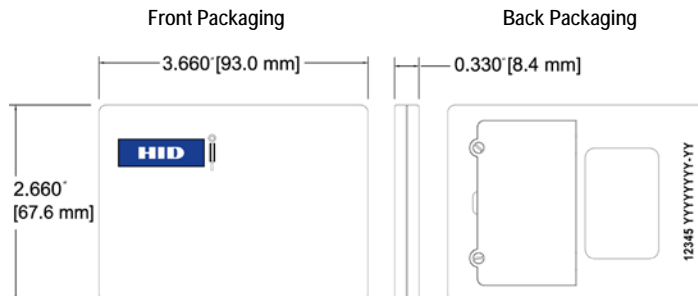
- M - Sequential Matching Encoded/Printed (Inkjetted)
- N - No Printed Card Numbering
- S - Sequential Encoded/Sequential Non-Matching Printed (Inkjetted)
- R - Random Encoded/Non-Matching Sequential Printed (Inkjetted)

Hardware Option

N - None

Enter your final Tag options from check boxes above. Example: 1351LBSMN

Final Part Number	1351	L	B	S		N	-	<i>(Optional Artwork #)</i>
--------------------------	------	---	---	---	--	---	---	-----------------------------



12345 = Tag ID Number
 YYYYYYYY-YY = Sales Order Number

125 kHz Tag Programming Information

Format Number ____ (example: H10301) Bit Numbers ____ (example: 26 bit) Facility Code ____
 Encoded Card # Start ____ Stop ____ Printed Card # Start ____ Stop ____
 HID Elite ICE Number (if applicable) - ____ (Custom Format) Site Code ____ City Code ____ OEM Code ____
 Special Instructions: ____

The ProxPass II Tag includes two replaceable Encoded batteries and Velcro strips for a complete and simple installation. Battery Part # BR2330 is available at most electronic stores (not sold by HID).

MicroProx® Tag Proximity - 1391

Ensure each required option has been checked with the appropriate choice to fulfill a completed order form.

1391 Base Model

Programming (Select one option)

- L - Programmed, Low Frequency (125 kHz). Specify Programming Information.
- N - Non-Programmed, Low Frequency (125 kHz). Programming Information Not Required.

Front Packaging (Select one option)

- S - Gray with HID Standard Artwork
- K - Black with HID Standard Artwork
- B - Plain Black Finish, (No Artwork)
- G - Plain Gray Finish, (No Artwork)
- C - Custom Artwork - Specify Custom Artwork Number¹

Back Packaging³

- S - Adhesive Backing

Tag Numbering² (Select one option)

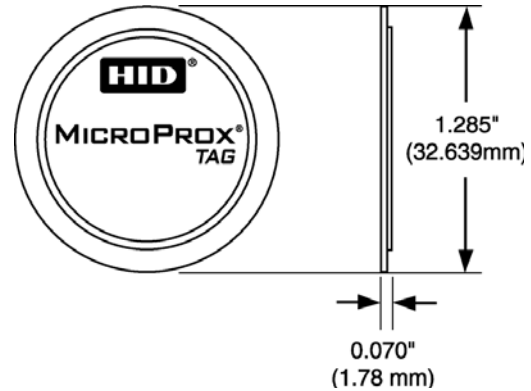
- M - Sequential Matching Encoded/Printed (Inkjetted)
- N - No Printed Tag Numbering
- S - Sequential Encoded/Sequential Non-Matching Printed (Inkjetted)
- R - Random Encoded/Non-Matching Sequential Printed (Inkjetted)

Slot Punch

- N - None

Optional Custom Artwork¹

_____ (Specify Artwork Number - Refer to the Custom Artwork Forms for new Artwork)



Enter your final Tag options from check boxes above. Example: 1391LKSMN

Final Part Number	1391			S		N	-	(Optional Artwork #)
--------------------------	-------------	--	--	----------	--	----------	---	-----------------------------

125 kHz Tag Programming Information

Format Number ____ (example: H10301) Bit Numbers ____ (example: 26 bit) Facility Code ____
 Encoded Card # Start ____ Stop ____ Printed Card # Start ____ Stop ____
 HID Elite ICE Number (if applicable) - ____ (Custom Format) Site Code ____ City Code ____ OEM Code ____
 Special Instructions: ____

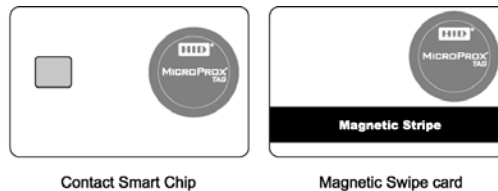
¹ For new artwork files, contact Customer Service for custom artwork number, lead-times, minimum order quantities, and cost.

² The Printed tag number is placed on the back of the tag.

³ The MicroProx Tag is not for use on cards that use full insertion or tractor feed type readers.

Do not adhere to metal surfaces. Metal shields the RF, making the tag inoperable. Due to variations in cards and reading devices, HID does not claim that the MicroProx Tag will work in every situation. Functional and non-functional MicroProx Tags are available for compatibility testing with existing credential and reader technologies. Compatibility should be confirmed prior to ordering.

MicroProx Placement





ProxCard Plus Card - 168 / 169

Instructions

1. Select one option from each category (1-5) and mark the appropriate box.
2. Complete the Programming Information and Company Information Sections.
3. Fax the completed Ordering Guide to HID's North Haven, CT, office at 1-203-407-5967, Attn.: Customer Service.
4. HID Corporation will determine the correct part number based on the options you specify, and fax you the part number and specification sheet.
5. Place an order for the ProxCard® Plus card with the part number provided by HID.

Card Thickness: 0.047" ± 0.004" - Check with your printer manufacturer to verify card printability
 - Magnetic Stripe applications: Verify reader slot width.

- Style 168 card = Non-printable surface, Matte Finish Style 169 card = Printable surface, Gloss Finish

1. Card Front

- ProxCard Plus Artwork
 Plain White ¹
 Custom Artwork (500 Min.)

2. Card Back

- Plain White
 Custom Artwork (500 Min.)

3. Card Finish

- Matte Finish Gloss Finish

Note: Cards are manufactured with similar front and back side finishes only, (i.e. Matte/Matte or Gloss/Gloss)

4. High Coercivity Magnetic Stripe

- Front Back None

5. Slot Punch³

- No Slot Punch, Printed Horizontal Slot Indicators
 Horizontal Slot Punch⁴

6. Card Style (Wiegand Code Strip Location)

- A (If unsure or card is used in a mixed reader environment, contact the factory)
 A1

Notes:

- Call Customer Service for availability, minimum order requirements, and a quote for custom cards.
¹ Cards ordered with plain white front and back packaging, with no HID artwork or custom artwork, will have a small "HID" printed in the lower right-hand corner and a horizontal slot punch halo target printed on the back of the card.
² The external card number is ink jet printed in the lower left-hand corner on the back of the card. Zero gap numbering is not available. The external PIN numbers will be associated with the Wiegand programming unless otherwise specified.
³ Some video imaging printers cannot accommodate pre-slot punched cards. Consult with the printer manufacturer prior to printing.
⁴ Consult customer service for vertical slot punch.

Programming Information (Wiegand):

Facility Code: "A" Field _____
 "B" Field _____
 (if required)
 Bit Format: _____
 Internal PIN Start No: _____
 External Card Numbering ²: _____
 Front Back
 Matching PIN
 Non-Matching Sequential Start No.: _____
 Non-Matching Start No. (Random): _____
 None

Programming Information (Proximity):

(If different than Wiegand Programming Info)
 Facility Code: "A" Field _____
 "B" Field _____
 (if required)
 Bit Format: _____
 Internal PIN Start No: _____
 Total Qty.: _____ (100 Min.)

Company Information:

Company Name: _____
 Contact: _____
 Address: _____
 City: _____
 State: _____
 Zip Code: _____
 Phone: _____
 Fax: _____

For Internal Use Only (Completed by HID):

ProxCard Plus Part Number:
 Part No.: 1 6 8 _____ or 1 6 9 _____
 Issued By: _____ Date: _____

Direct Image PVC Glossy Label Part Numbers

Part #	Description	Thickness	Dimensions
1324GAV11	ProxCard II size with slot punch, white adhesive back	10 mil PVC	3.310" x 2.060"
1324GAN11	ProxCard II size, no slot punch, white adhesive back	10 mil PVC	3.310" x 2.060"
1324GAV21	ProxCard II size with slot punch, white adhesive back	20 mil PVC	3.310" x 2.060"
1324GAN21	ProxCard II size, no slot punch, white adhesive back	20 mil PVC	3.310" x 2.060"
1324GBV22	ISOProx II and ProxCard II size with slot punch, brown (3M) adhesive back	20 mil PVC	3.370" x 2.125"
1324GBN22	ISOProx II and ProxCard II size, no slot punch, brown (3M) adhesive back	20 mil PVC	3.370" x 2.125"
1324GAV22	ISOProx II and ProxCard II size, with slot punch, white adhesive back	20 mil PVC	3.370" x 2.125"
1324GAN22	ISOProx II and ProxCard II size, no slot punch, white adhesive back	20 mil PVC	3.370" x 2.125"

Notes:

- Some dye sublimation printers cannot accommodate pre-slot punched labels; consult with the printer manufacturer prior to ordering.
- Labels are packaged in multiples of 100 pieces. Minimum order quantity is 100 pieces. Orders will be accepted in multiples of 100 pieces per label Model.
- Make sure to adjust your dye sublimation printer setting to the proper PVC label thickness and dimension.